

Appendix C

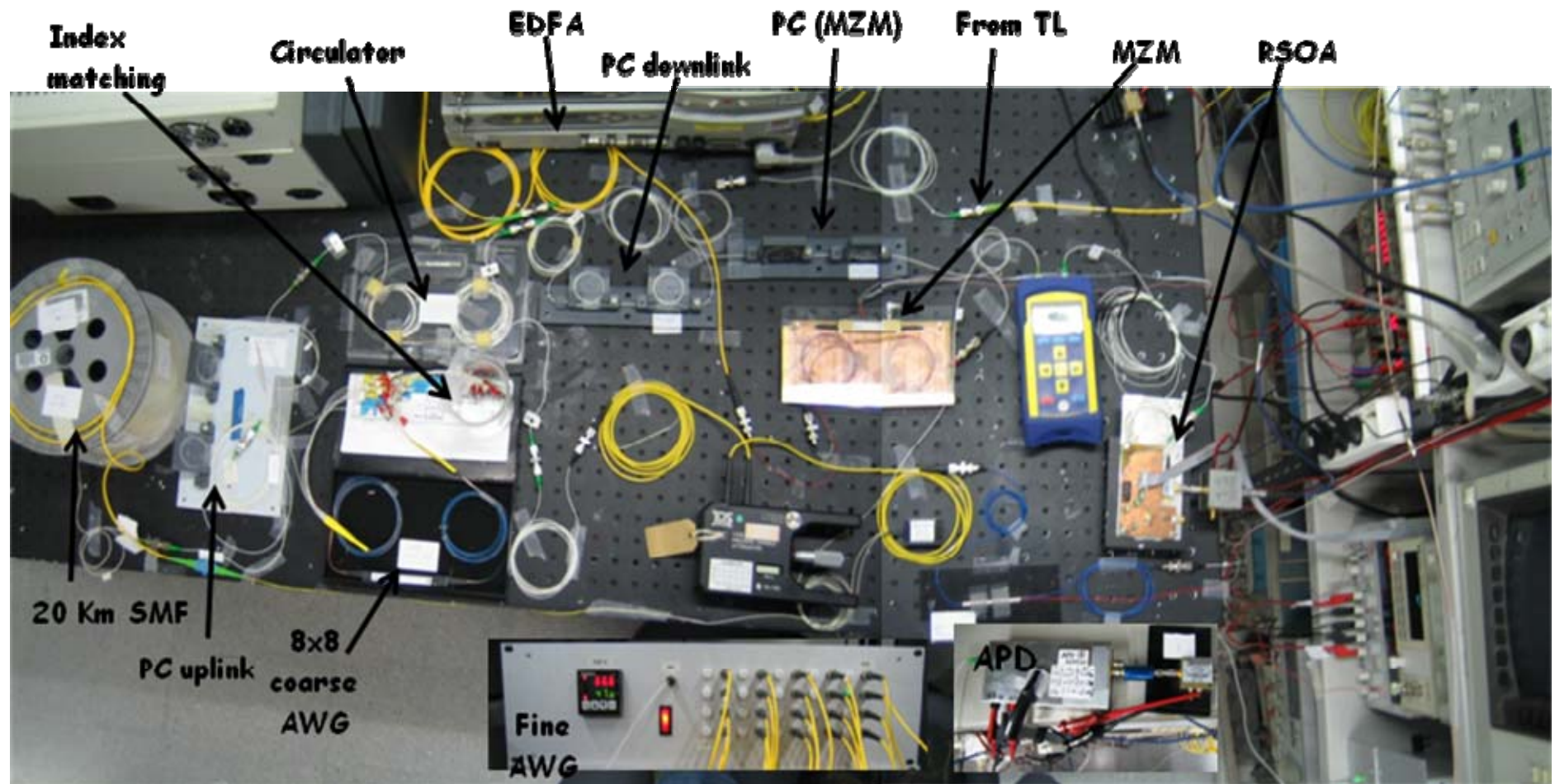


Figure C-1 Experimental setup photo

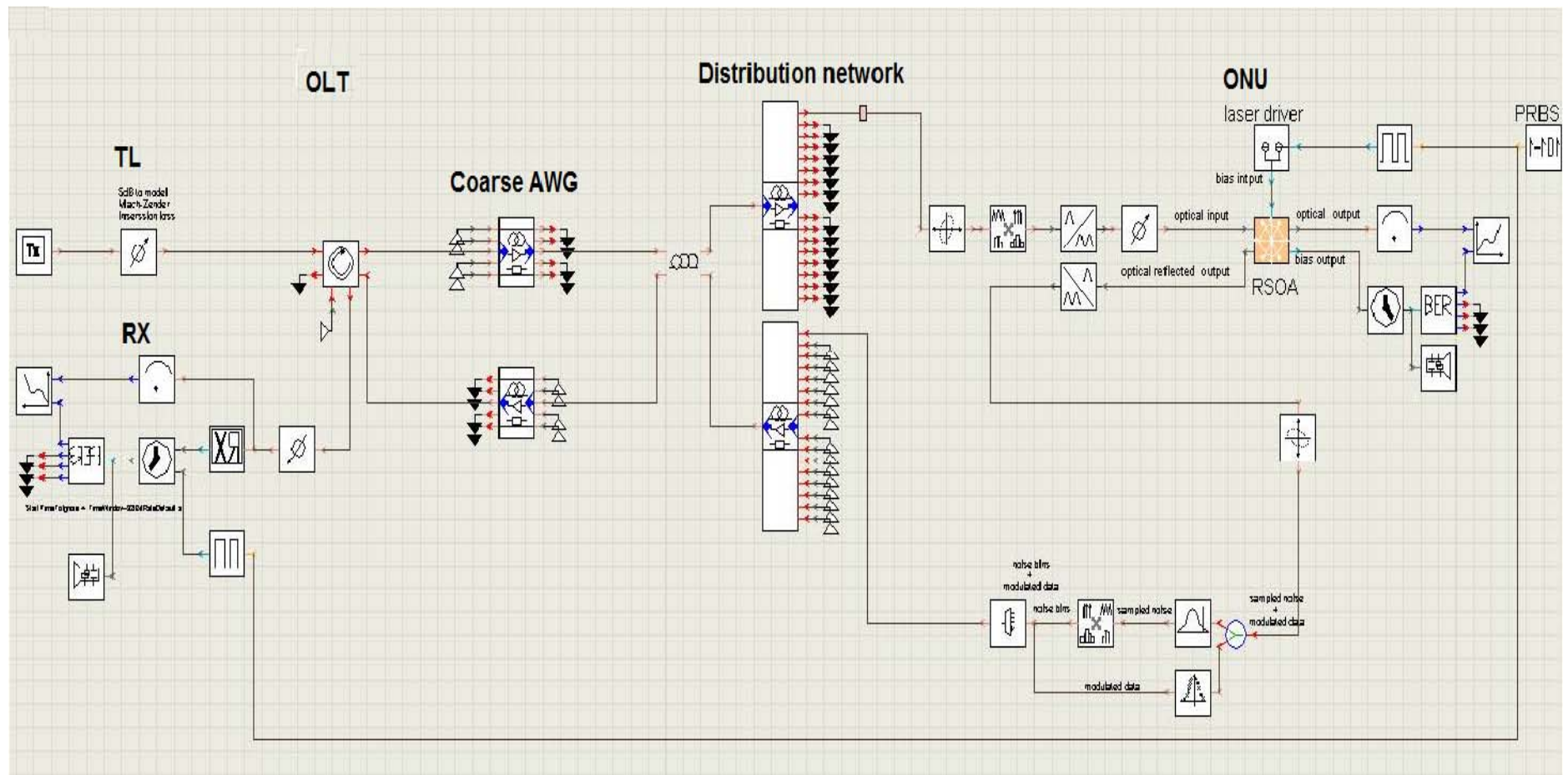


Figure C-2 VPI network modelling